**VEHICLE TYPE**

**ISUZU / KENWORTH / PETERBILT / MITSUBISHI /
DETROIT DIESEL ZETROS MERCEDES / 180E28 IVECO**

TRANSMISSION CODE

**MD 3000 / 3060 / 3070 / 3560 / 3066 / 3566
HD 4060 4070 / 4076 /4560**

This side-mounted PTO transmission has a single two-axis output. Meeting It is done in the main transmission. PTO gear from main transmission It transfers the movement it receives through the gears in the gearbox. It transmits it to the output proportionally. Equipment outlet is compatible with ISO4 Bolted pump outlet. on demand Output can also be provided with SAE -B / BB / -C, Keyed Shaft and Coupling. Activation/deactivation via hydraulic control mechanism is provided. The lubrication system is provided by oil taken from the main transmission. There is no need to add oil to the PTO afterwards.

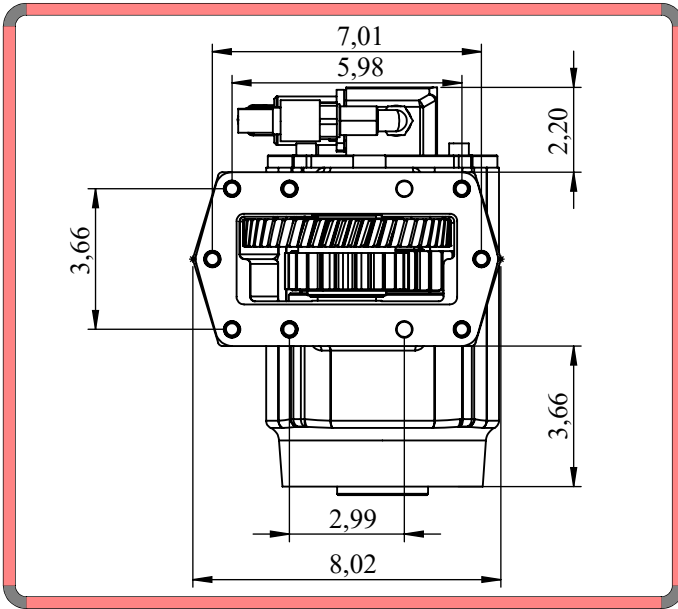
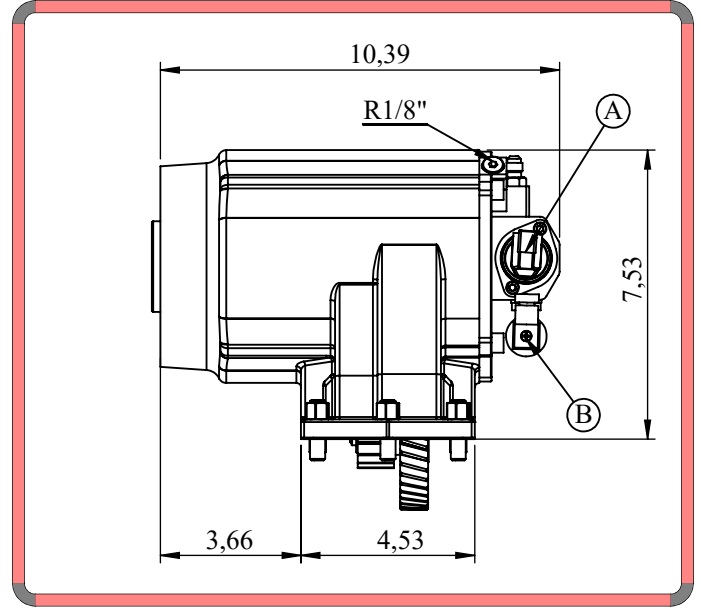
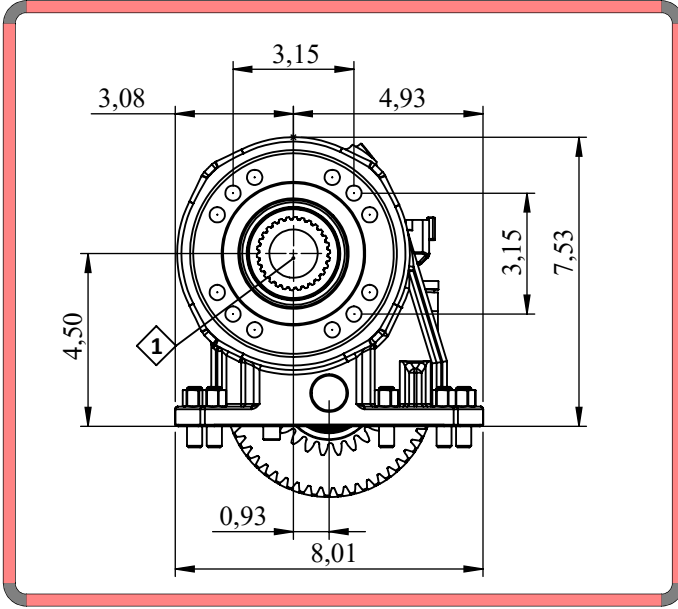
HİDROLİK POMPA ve ARA ŞANZİMAN PTO İMALAT
SAN.LTD.ŞTİ.

AOS. 1. OSB. Erkunt Cad. No: 6 Sincan / ANKARA

Tel.+90 312 267 39 71-Fax +90 312 267 38 72

info@kozmaksan.com.tr

Website: www.kozmaksan.com.tr



①	Universal Out
Ⓐ	Solenoid Valve
Ⓑ	Enabled-Disabled Sensor

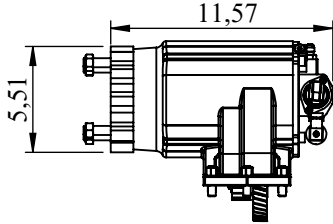
TECHNICAL VALUES

	MAX VALUES	RATIO	WORKING RPM RANGE (MAX)
		68 Teeth / 83 Teeth / 97 Teeth	
①	57 Kw - 544 Nm	1,18 / 1,19 / 0,82	
	50 Kw - 477 Nm	1,02 / 0,84 / 0,72	
	44 Kw - 420 Nm	0,89 / 0,74 / 0,63	

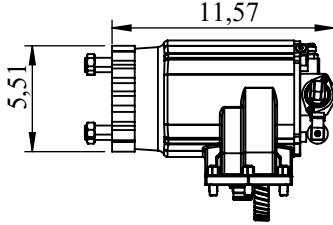
Optimum Working Temperature	25-80°C
Short-term Working Temperature	80-90°C
Risky Working Temperature	OVER 90°C

* Output Power ; The rpm and output power may vary. Contact Kozmaksan for exact working values.

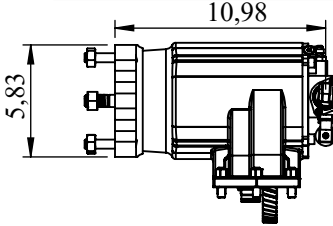
WEIGHT	15 Kg / 33 lbs
BODY MATERIAL	GE GJS-400-15 US 65-42-42 TR GGG-50
OIL TYPE & AMOUNT	80W-90

Output Options


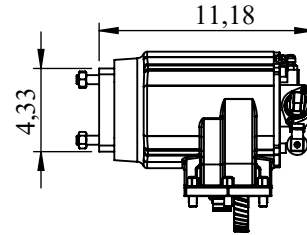
Connection Type	UNV.-->SAE-B
Kw-Nm Values	50Kw - 477Nm



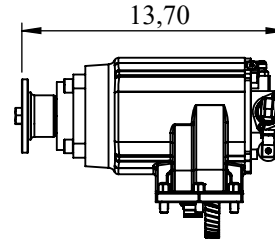
Connection Type	UNV.-->SAE-BB
Kw-Nm Values	50Kw - 477Nm



Connection Type	UNV.-->SAE-C
Kw-Nm Values	50Kw - 477Nm



Connect Type	UNV.-->ISO
Kw-Nm Values	50Kw - 477Nm


KIT.55.02.UF

Connection Type	UNV.-->UF
Kw-Nm Values	50Kw - 477Nm

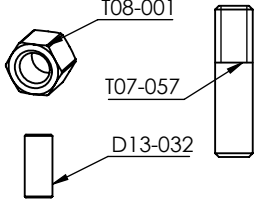
C06-251	C06-251-1
SAE 1300	DIN 100

HİDROLİK POMPA ve ARA ŞANZİMAN PTO İMALAT
SAN.LTD.ŞTİ.

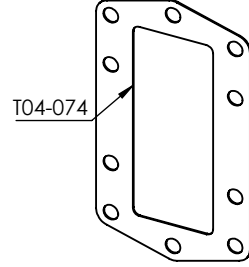
AOS. 1. OSB. Erkunt Cad. No: 6 Sincan / ANKARA
Tel.+90 312 267 39 71-Fax +90 312 267 38 72

info@kozmaksan.com.tr

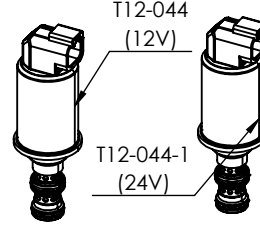
Website: www.kozmaksan.com.tr

Standart Installation Kit
Transmission Mounting Parts


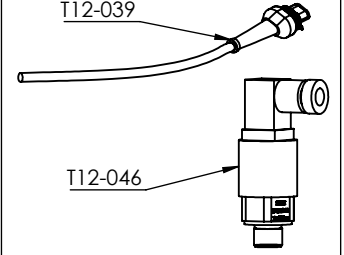
	Code	Qty
1	T08-001	8
2	T07-057	8
3	D13-032	2

Transmission Gasket


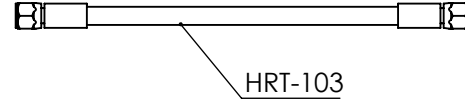
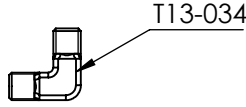
	Code	Qty
4	T04-074	1

Valve

Option

	Code	Qty
5	T12-044	1
6	T12-044-1	1

Sensor and Connector


	Code	Qty
7	T12-039	1
8	T12-046	1

Hose


	Code	Qty
9	T13-034	1
10	HRT-103	1

No	Code	Description
1	T08-001	M10 REINFORCED NUT 8*8
2	T07-057	M10X40 STUD
3	D13-032	Ø11x25 CENTERING PIN
4	T04-074	ALLISON FACE GASKET
5	T12-044	ALLISON SOLENOID VALVE 12V (SV90-G39S0-G-24ER-Z-T)
6	T12-044-1	ALLISON SOLENOID VALVE 24V (SV90-G39S0-G-24ER-Z-T)

7	T12-039	Sender Connector (OIL SENDER SOCKET)
8	T12-046	ALLISON OIL PRESSURE SENDER (FOX F4S1/M2 1>12 bars)
9	T13-034	7/16X7/16 OIL FITTING (ELBOW)
10	HRT-103	7/16" - 7/16" 80cm hydraulic 3/16" hose (ALS.3060)

HİDROLİK POMPA ve ARA ŞANZIMAN PTO İMALAT
SAN.LTD.ŞTİ.

AOS. 1. OSB. Erkunt Cad. No: 6 Sincan / ANKARA

Tel.+90 312 267 39 71-Fax +90 312 267 38 72

info@kozmaxsan.com.tr

Website: www.kozmaxsan.com.tr